

Dec. 3, 1940.

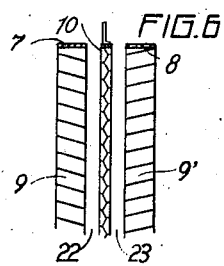
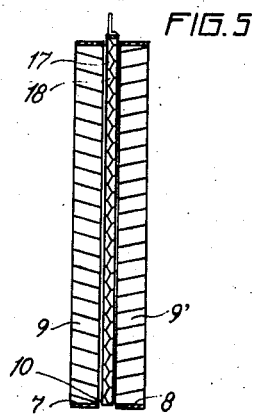
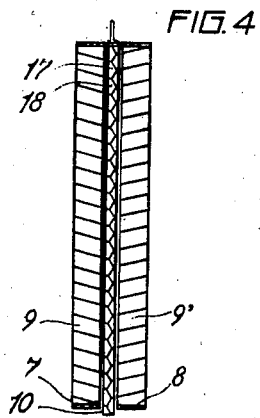
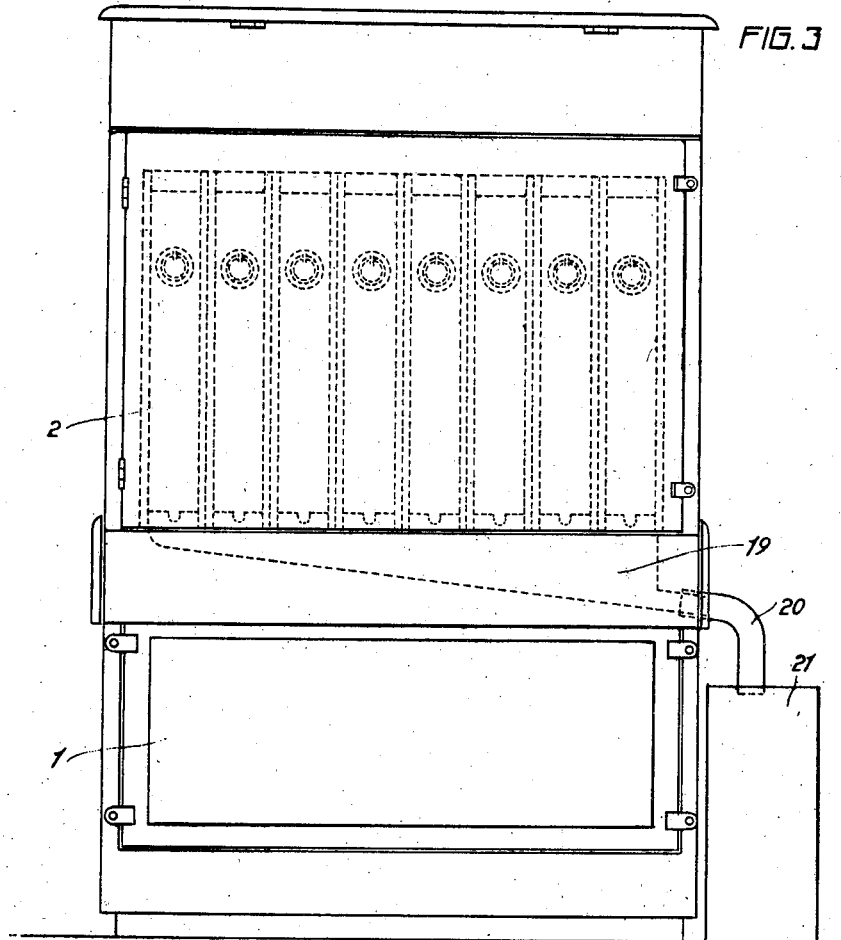
J. B. GARRIGA

2,223,561

BEEHIVE

Filed Aug. 8, 1939

3 Sheets—Sheet 3



Inventor
G. B. Garriga
by
W. E. Evans
Attorney.