

Dec. 3, 1940.

J. B. GARRIGA

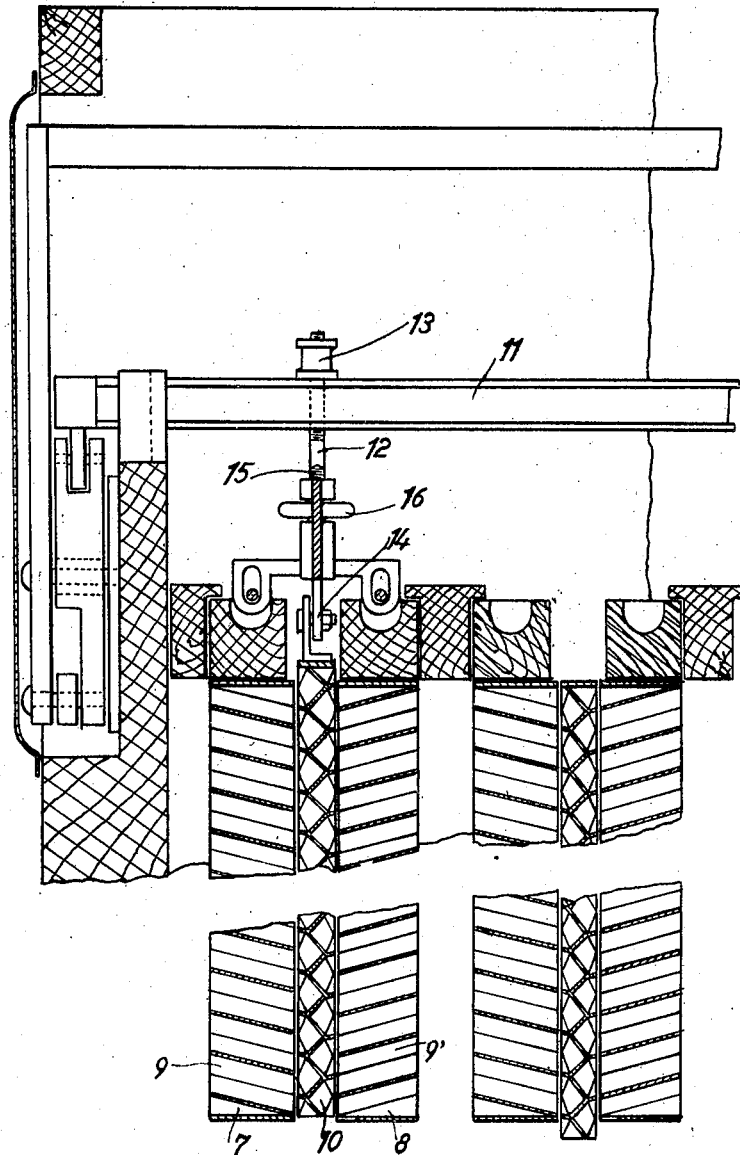
2,223,561

BEEHIVE

Filed Aug. 8, 1939

3 Sheets—Sheet 2

FIG. 2



Inventor  
J. B. Garriga:  
by  
W. S. Evans:  
Attorney.